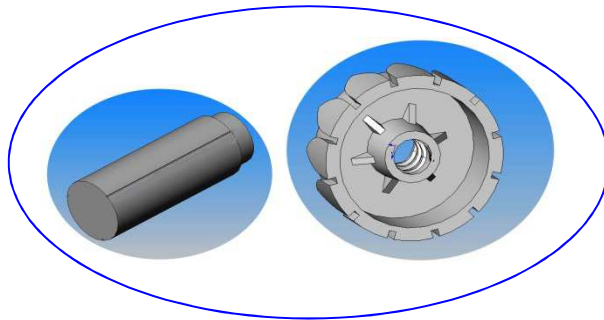
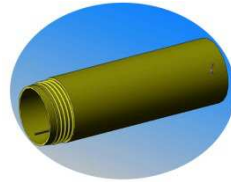
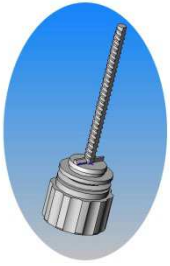


Identify the pair between each component



Draw a Kinematic diagram of the mechanism.

How many **degrees of freedom (DOF)** are they between two links with no physical contact ?

How many DOF leave the following pairs and what is their nature :

**Prismatic pair :**

**Revolute pair** (turning pair)

**Helical pair** (screw pair) :